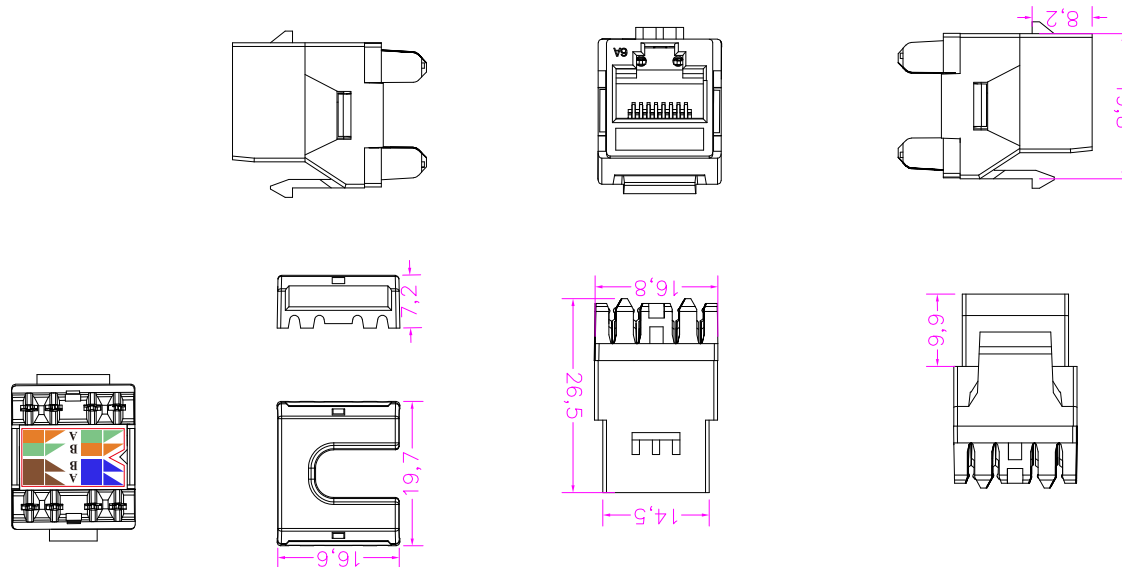




Model	UTP Cat.6A Keystone Jack 180 degree	Name	Keystone jack	Document NO.	CL-KJU-C6A16	Version	REV.01
-------	-------------------------------------	------	---------------	--------------	--------------	---------	--------

90 ° C6A Unshielded Keystone jack



**NOTES:**

**ELECTRICAL:**

- 1. VOLTAGE RATING : 125 VAC.
- 2. CURRENT RATING : 1.5 AMP.
- 3. CONTACT RESISTANCE : 100 MILLIOHMS MAX.
- 4. INSULATION RESISTANCE : 1000 MEGOHMS MIN. @ 500 VDC.
- 5. DIELECTRIC STRENGTH : 750 VAC 60Hz, 1MIN.

**MECHANICAL:**

- 1. HOUSING MATERIAL : ABS UL94V-0.
- 2. INSERT MATERIAL : PBT+20% GF. UL94V-0.
- 3. PCB MATERIAL : FR-4 THICKNESS 1.2 mm.
- 4. CONTACT MATERIAL : PHOSPHOR BRONZE STAMP PIN t=0.35 mm WITH GOLD PLATING 50um
- 5. IDC CONTACT MATERIAL : PHOSPHOR BRONZE t=0.50 mm WITH NICKEL PLATING
- 6. WIRE : #23~26 AWG.

**ENVIRONMENTAL:**

- 1. STORAGE : -40°C TO +85°C.
- 2. OPERATION : 0°C TO 70°C.

**TITLE:** UTP Cat.6A Keystone Jack  
180 degree  
**P/N:** CL-KJ-C6A16