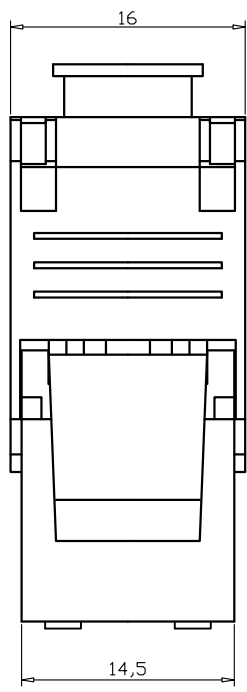
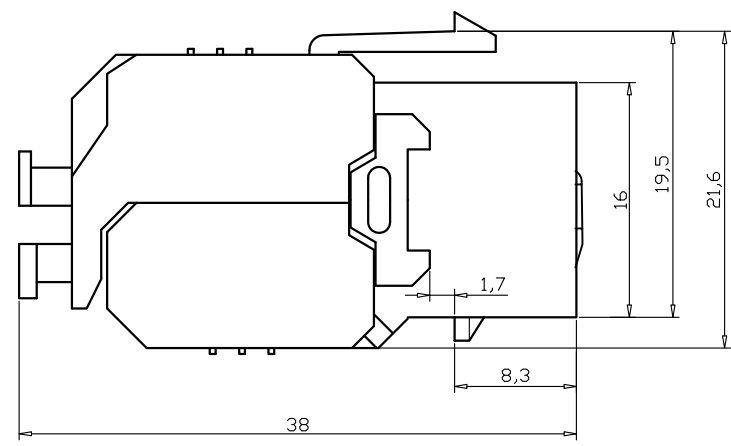


Material:


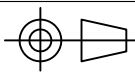
- 1.RJ45 Housing:PC
- 2.Phosphor Bronze with 50-60 micro-inch Nickel plated.
- 3.Contact area: 3-50 micro-inch Gold plated
- 4.IDC Housing: PC
- 5.IDC Terminal material & finished:
 - 5-1.Phosphor Bronze with 50 micro-inch Tin-Lead plated. Over 50-60 micro-inch Nickel plated.
 - 5-2.Use for 22-26 AWG stranded and solid wire
- 6.Jack Bracket Set:ABS Black color
- 7.PCB: FR4 UL 94V0

Performance:

- a.The IDC color combine two wirings of T568A & T568B.
- b.Insertion Force: 900 grms for 8 contacts
- c.Retention Strength: 7.7kgs between Jack and Plug
- d. Operation Temperature: -40°C to 70°C.
- e.Durability:
 - e-1.Jack:750 cycles Plug-Jack mating and unmating test.
 - e-2. IDC: Max 200 punching times.
- f.IDC Terminal: For 22-24 AWG solid Cable



- Electrical schematic T568A
- white/blue 5
 - blue 4
 - white/orange 3
 - orange 6
 - white/green 1
 - green 2
 - white/brown 7
 - brown 8
- Electrical schematic T568B
- white/blue 5
 - blue 4
 - white/orange 1
 - orange 2
 - white/green 3
 - green 6
 - white/brown 7
 - brown 8

TITLE:			 Shenzhen Copperled Technology Co.,Ltd		
	INCH	MM			
.X	.015	.30			
.XX	.010	.10	TITLE: FTP Cat.6A Keystone Jack with dust shutter		
.XXX	.005	.05	P/N: CL-KJ-C6A13		
DRAWN BY	MA		SCALE	1:1	 REV
CHECK BY			UNIT	MM	
APPD BY			SHEET	1/1	DWG NO:
			DATE	2020/05/05	