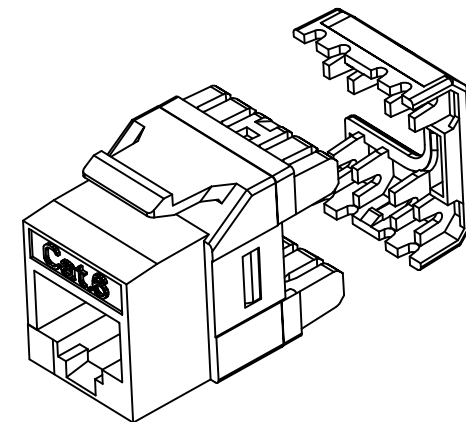
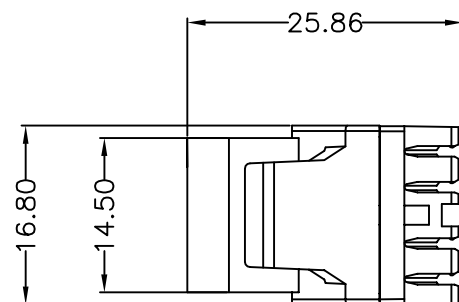




Shenzhen Copperled Technology Co.,Ltd

TITLE:UTP Cat.6 Keystone Jack 180 degree White color

P/N:CL-KJU-C619



NOTES:

ELECTRICAL:

1. VOLTAGE RATING : 125 VAC RMS
2. CURRENT RATING : 1.5 AMP
3. CONTACT RESISTANCE : 100 MILLIOHMS MAX
4. INSULATION RESISTANCE : 1000 MEGOHMS MIN @ 500 VDC
5. DIELECTRIC STRENGTH : 750 VAC RMS 60Hz,1MIN
6. C6 PERMANENT LINK : CONFORM TO ANSI/TIA/EIA-568 B.2-1

ENVIRONMENTAL:

1. STORAGE : -40° TO +85°
 2. OPERATION: 0° TO 70°
- MATES WITH MODULAR PLUG CONFORMING TO FCC PART 68, SUBPART F

MECHANICAL:

- 1.HOUSING MATERIAL : PC UL94V-0
- 2.INSERT MATERIAL : ABS UL94V-0
- 3.PCB MATERIAL : FR-4 T=1.2mm
- 4.CONTACT MATERIAL : PHOSPHOR BRONZE STAMP PIN T=0.35mm
- 5.IDC CONTACT MATERIAL: PHOSPHOR BRONZE T=0.50mm,TIN PLATING
- 6.RJ45 JACK LIFE : 750 TIMES MIN
- 7.IDC LIFE : 200 TIMES MIN
- 8.WIRE : AWG 22~26
- 9.TIA Cat 6 Perm. Link Test: Worst pair NEXT margin \geq 3.0dB
- 10.Retentiveness of insertion structure: 50N 60 \pm 5s

