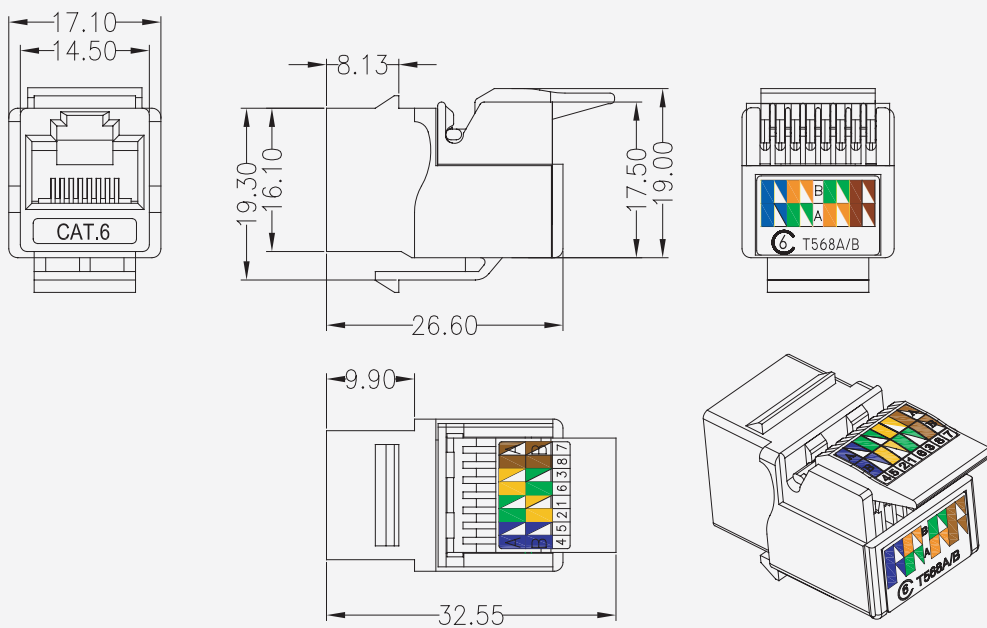




# UTP Cat.6 Keystone jack Toolless CL-KJU-C6T2



### NOTES:

#### ELECTRICAL:

- 1.VOLTAGE RATING : 125 VAC RMS
- 2.CURRENT RATING : 1.5 AMP
- 3.CONTACT RESISTANCE : 100 MILLIOHMS MAX
- 4.INSULATION RESISTANCE : 1000 MEGOHMS MIN @ 500 VDC
- 5.DIELECTRIC STRENGTH : 750 VAC RMS 60Hz,1MIN
- 6.C6 PERMANENT LINK : CONFORM TO ANSI/TIA/EIA-568 B.2-1

#### ENVIRONMENTAL:

- 1.STORAGE : -40° TO +85°
  - 2.OPERATION : 0° TO 70°
- MATES WITH MODULAR PLUG CONFORMING TO FCC PART 68,SUBPART F.

#### MECHANICAL:

- 1.HOUSING MATERIAL : PC UL94V-0
- 2. INSERT MATERIAL : FLAME RETARDANCY ABS UL94V-0
- 3. PCB MATERIAL : FR-4 THICKNESS:1.6mm
- 4. CONTACT MATERIAL : PHOSPHOR BRONZE STAMP PIN T=0.35mm
- 5. IDC CONTACT MATERIAL : PHOSPHOR BRONZE T=0.50mm WITH NICKEL PLATING
- 6. WIRE : AWG 24~26